

# ABDOS Gen-2 Pipette Tip Box

Powered by: **Anti-Warpage & Shrink Technology**



**Patent Pending**

# ABDOS Gen-2 Tip Box : Anti-warpage Technology

Abdos GEN-2 developed from indigenous **anti-warpage technology** to offer strength & security at liquid handling.

Gen-2 Tip Box is robust in design with consistent wall thickness for repetitive use in single and multi channel pipette.

Transparent top cover & bottom provides an excellent view of the Micro Tips inside the box.

Gen-2 Tip Box can accommodate Abdos Micro Tips and the tip holding spaces to facilitate easy use in multi channel pipette.

Manufactured in high quality polypropylene

Hinged lid provides fast, safe pipette tip access

These boxes are stackable

All Tip Boxes contain 96 Tip holes.

Can be autoclaved.

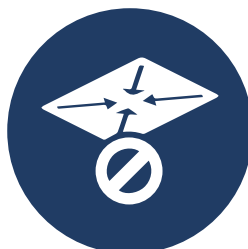
Green Manufacturing & Reusable once empty, save plastics.

Available in all range of pipette tips capacity.

## Key Features:



**Anti-warp  
Technology**



**Anti-shrink**



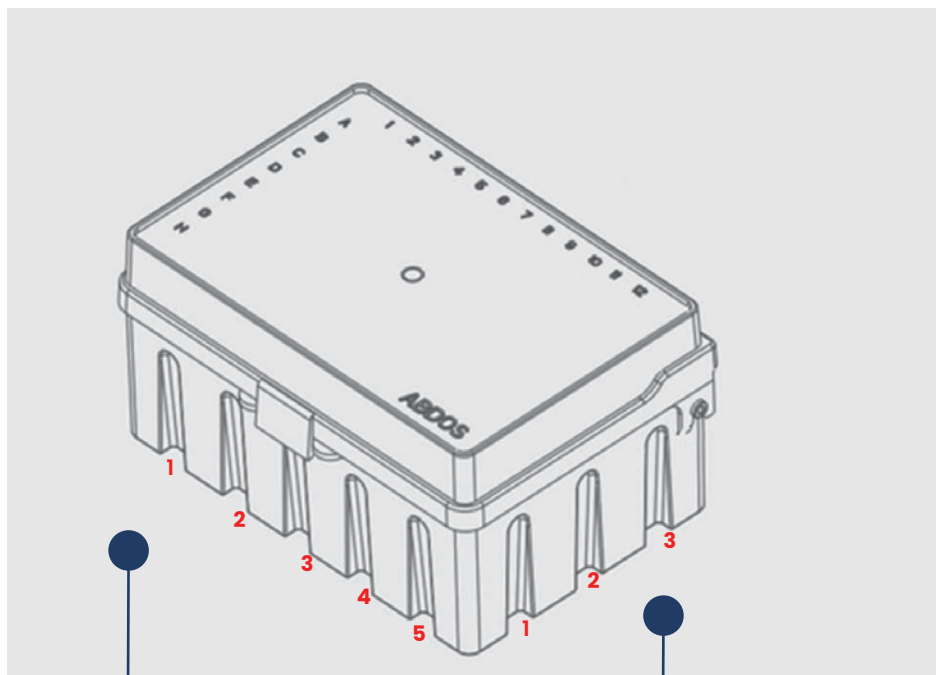
**Robust Design  
& Strength**

# Design is first solution to a problem

## Discovering the Generation 2

### A. POWER OF 16 SLOT PILLARS & 12 RIBS PILLARS

- Tip Box Bottom
- Lid
- Tip Tray



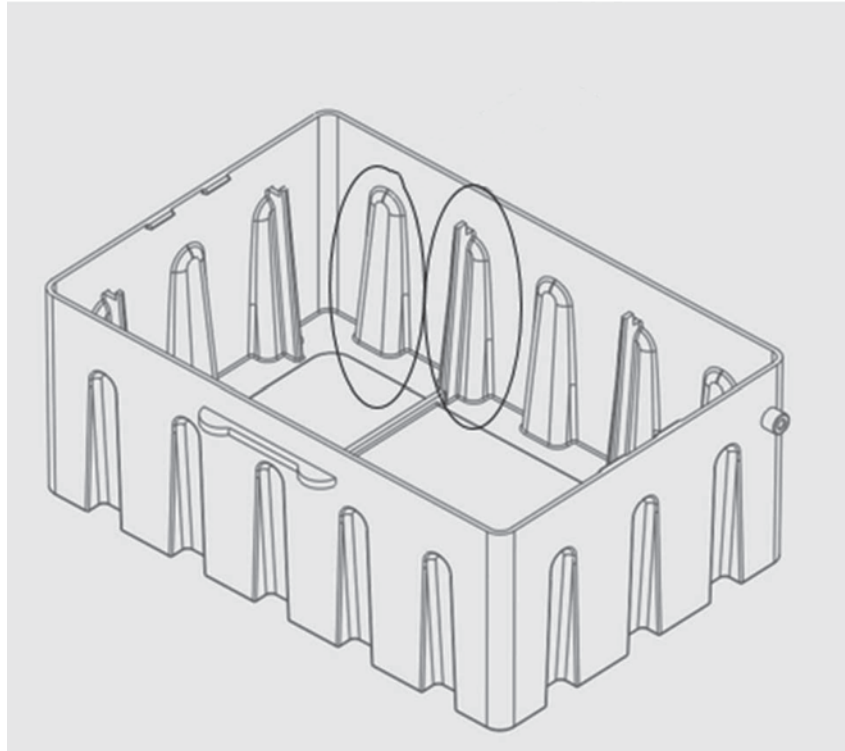
5 Slot Pillars

3 Slot Pillars

- ▶ **Total 16 no's of slot type pillars** and **12 no's of ribs** has been incorporated all around tip box Bottom & Lid respectively to **enhance strength**.
- ▶ **Pillars are designed** not to bulge the box either **concave** or **convex** direction if any external force is applied.

**B.**

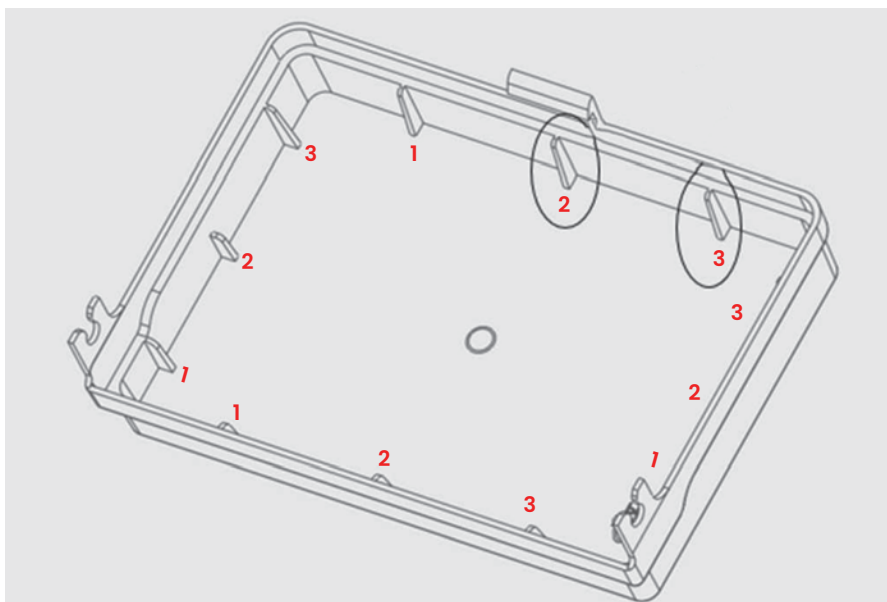
**A Focused view of slotted pillars in bottom which restricts the bending moment during pipetting**



- ▶ **Slotted Pillars features** encourage to minimise the warpage and requires Less force during pipetting, ar some added advantages.

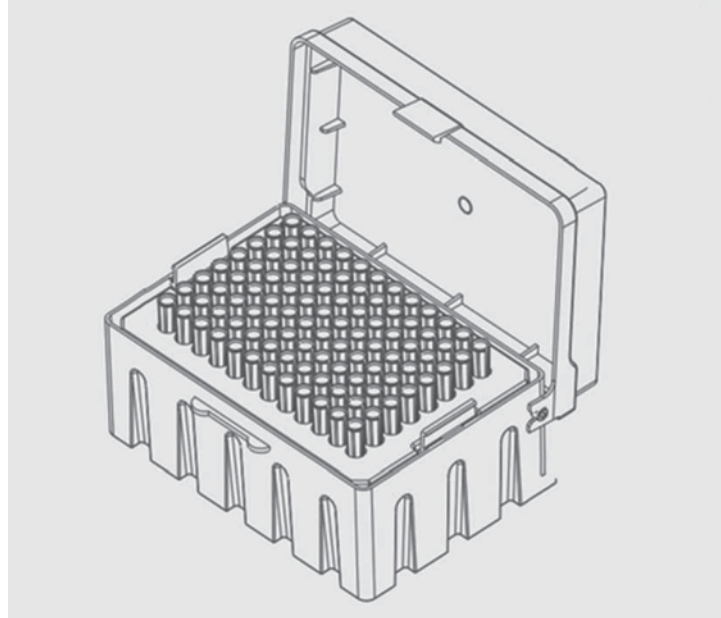
**C.**

**An enlarged view of ribs in lid which helps to minimize lid warpage**



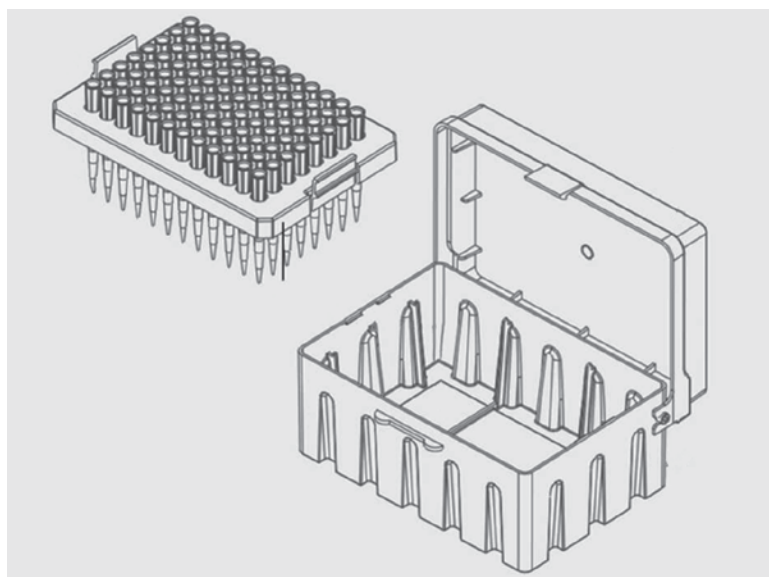
- ▶ **12 no's (3-3-3-3) of ribs** has been incorporated all around tip box Bottom & Lid respectively to **enhance strength**

## D. A prospective view by opening the Lid



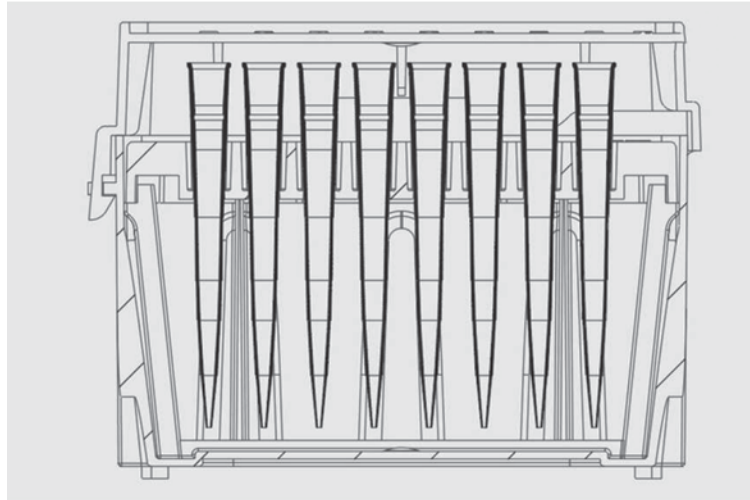
- ▶ Transparent top cover & bottom provides an excellent view of the Micro Tips inside the box.
- ▶ Hinged lid provides fast, safe pipette tip access.
- ▶ All Tip Boxes contain 96 Tip holes.

## E. A prospective view of Tip tray from the bottom



- ▶ Gen-2 Tip Box can accommodate Abdos Micro Tips and the tip holding spaces to facilitate easy use in multi channel pipette.

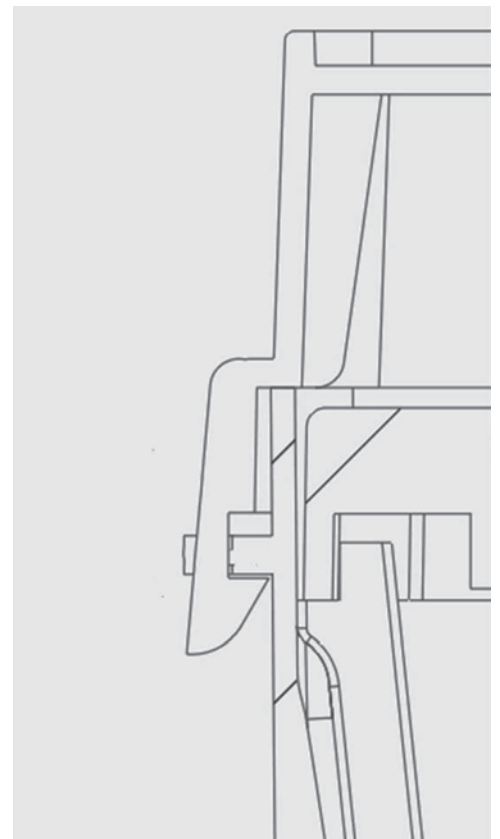
## **F. A cross-sectional view including pipettes tips**



- ▶ Ideal gap between tips & Closed Lid for better safety. Protects tips in case of mishandling of boxes.
- ▶ Ideal Surface Clearance for better safety. Protects tips in case of mishandling of boxes.

## **G.**

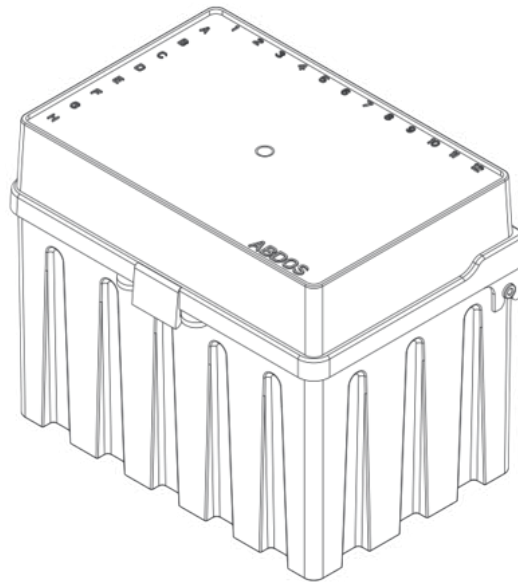
### **AA cross-sectional view of snap lock mechanism between tip box bottom & lid**



- ▶ A positive snap lock system to lock the tip box perfectly.

## **Sustainable In Manufacturing & Durable In Use**

---



**ABDOS Indigenously developed Design empowering the strength and helping to reduce the environmental burden.**

- ▶ 0 carbon emission in the manufacturing.
- ▶ Durable design helps to use for longer period of time. Low waste cycle.